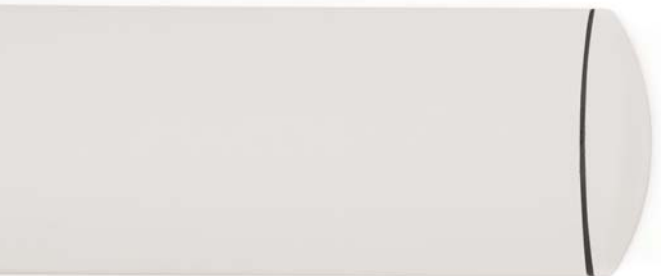




Goodrich Global
SINCE 1983

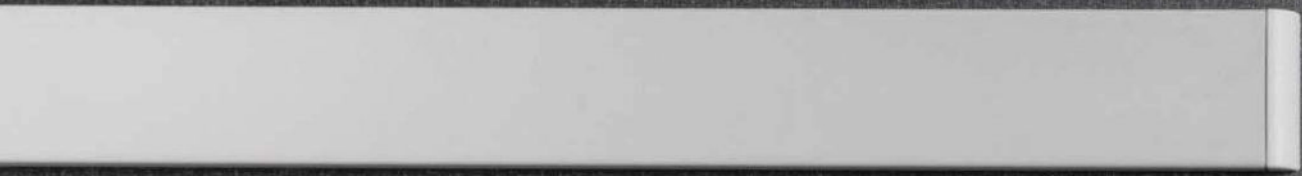


KOROGARD® **WALL PROTECTION**



K koroseal®

PROTECT YOUR WALLS IN STYLE.



KOROGARD WALL PROTECTION



Korogard Wall Protection is a complete line of products and custom solutions that are based on a systems approach. This allows users to mix and match a diverse array of colors while helping to maintain the beauty and style of a space. Unique products, such as Flex™ Decorative Wall Protection and Traffic Patterns®, offer designers the ultimate combination of aesthetics and performance.



CONTENTS

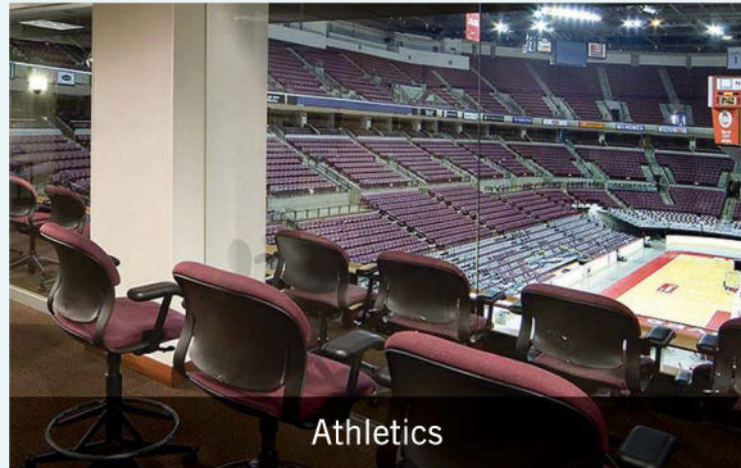
Applications	3
Systems Approach	5
Colors & Finishes	7
Protective Wallcovering	11
Finishing & Installation	15
Corner Guards	16
Handrails	21
Crash & Bumper Rails	26
Chair Rails	31
Door Protection	35
Environmental	37
Technical Information	41
Support & Resources	42

LIMITLESS APPLICATIONS

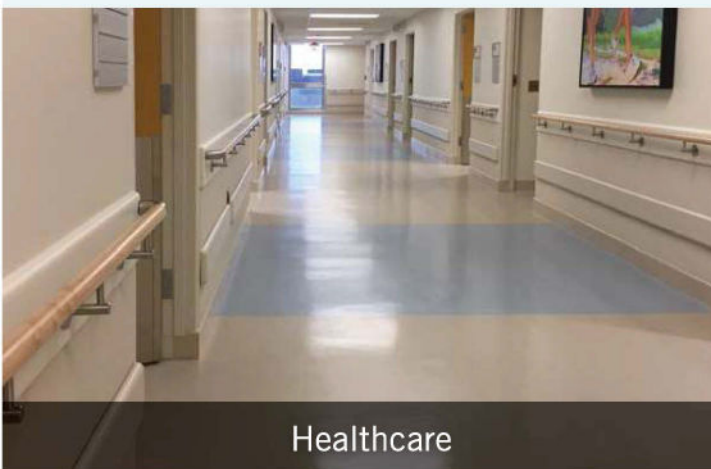
Protecting the beauty of a vertical surface is critical. Korogard has a full line of wall protection solutions for healthcare, education, hospitality, corporate, retail, and more. Unique products are engineered to save time and money by reducing maintenance and replacement costs. Korogard offers an extensive product line with a variety of colors, finishes, and materials to maintain the beauty and style of a designer's vision for years to come.



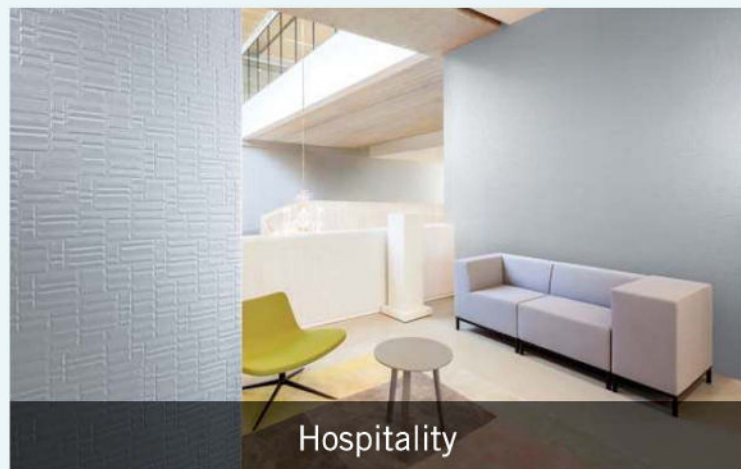
Assisted Living



Athletics



Healthcare



Hospitality



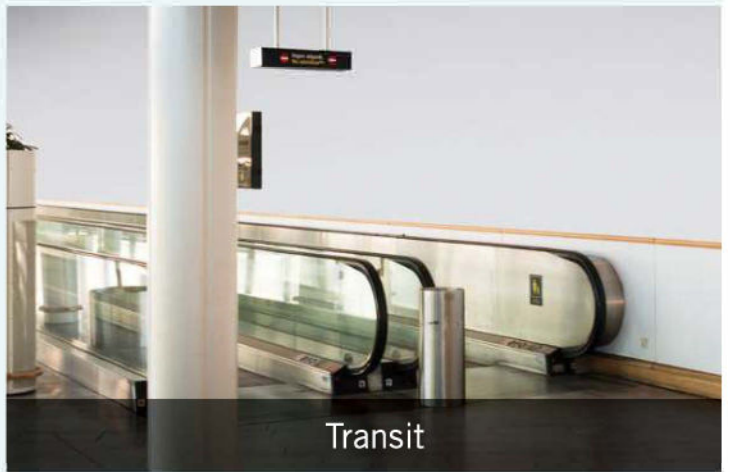
Corporate



Education



Retail



Transit

A COHESIVE WALL PROTECTION SYSTEMS APPROACH

Categories of Wall Protection products:

PROTECTIVE WALLCOVERINGS

Protective wallcoverings offer an attractive backdrop that conceals and protects against minor scratches and dents. Available in a variety of solid colors and unique patterns, products such as Korogard, Traffic Patterns, and Flex offer the ultimate combination of aesthetics and performance.

CORNER GUARDS

Offering everything from standard vinyl to modern stainless steel, **corner guards** can complement a variety of interiors and protect the edges of your walls from the inevitable abuse of high-traffic areas.

HANDRAILS

Crafted in solid wood, stainless steel, or vinyl with an aluminum retainer, **handrails** are ADA compliant and can be customized with a selection of styles, stains, and colors to match your design scheme.

CRASH & BUMPER RAILS

Crash & bumper rails are designed to provide an impact-resistant barrier to damaging carts, beds, and chairs - making crash and bumper rails suitable for high-impact areas.

CHAIR RAILS

Crafted in solid wood, or vinyl with an aluminum retainer, **chair rails** can be customized with a selection of styles, stains, and colors.

DOOR PROTECTORS

Unique custom forming capabilities provide form-fitting custom **door and frame protectors** that prevent high maintenance and replacement costs.

STANDARD COLORS

(Available for all vinyl protective wallcovering, handrails, corner guards, crash & bumper rails, and custom formed products.)



Purity (5E)



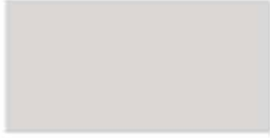
Simply White (TE)



Feather (4M)



Vapor (13)t



Fog (73)



Mist (33Jt)



Tan (72Jt)



Casual Beige (4N)



Silhouette (5G)



Relaxed Gray (5A)



Composed Gray (5Flt)



Koala (4YI)



Pewter (21)



French Gray (4P)



Amenable (4Wlt)



Passionate (4T)



Flint (4S)



Overcast (TN)t



Lava (TR)



Suitable Gray (4V)



Charcoal (77)t



Serene Gray (5B)



Spring Eve (FY)



Harbor Gray (4ZI)



Black (01)



Cerulean (4U)



High Seas (5C)



Light Breeze (5D)

KOROWOOD™ FINISHES

(Available for all vinyl protective wallcovering and custom formed products, and select handrails, corner guards, and crash & bumper rails.)



Riga Birch
(WC)^A



Manitoba Maple
(WO)



American
Natural (DV)^A



Honey Maple
(WF)^A



Rustic Cherry
(Wht)



Red Alder
(Wit)



Pearwood
(WB)

If Korowood sheets are "railroaded," the wood grain runs horizontally.



Balsa (69)



Porcelain (68)



White Corn (AS)



Seashell (OZ)



Dionis (71)



Pumice (DH)



Cream (07)t



Buckeye Almond (HP)



Oyster (CW)



Savannah (PA)t



Cashmere (DG)



Silkworm (DB)



Dawn (5H)



Cream Soda (FH)



Sand (4Q)t



Boucle (LN)



Turtle Dove (4R)



Khaki (HJ)



Corriere Beige (CO)



Flagstone (TM)



Quarry (67)



New Slate (AI)



Nutmeg (TP)



Fresh Brew (TD)

tcolors also available in .028" thickness for protective wallcovering.

METALLIC FINISHES

(Available for protective wallcovering and custom formed products.)



Silver Metallic (ON)



Brushed Aluminum (OQt)



Bronze Metallic (00)



Carbon Fiber (OP)



Auburn Pear (EAt)



Summer Flame (WG)^A



Amati (YU)



Shaker Cherry (WPt)



Chocolate Pear (WKt)



Messina (YV)

^ASelect Korowood and metallic finishes available for vinyl corner guards, handrails, and crash & bumper rails.

HARDWOOD FINISHES

Real hardwood finishes are only available for select handrails and chair rails (HW20, HW40, H60W, H70W, HW7S, HS5R, HS50, BW20, BW30, BW40, BW50, BW60, BW70, BW80, & BW90). Custom stains are also available.



Chiffon (BJ)



Enchanted (CJ)



Harbour (DJ)



Vintage (EJ)



Natural (1)



Spice (2)



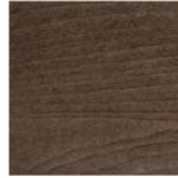
Greystoke (FI)



Native (G)



Acorn (HJ)



Heirloom (IJ)



Aged (K)



Indian Ebony (L)



Greige (M)



Smoked (N)



Merlot(3)

All stains shown on Maple (M).

Wood species available:

Ash (A), Maple (M), Poplar (P), and Red Oak (R)

Note: Actual colors may vary. Please request a product sample to verify the actual color.

To order, specify species code then stain code.

Example: Ash (A) wood with Chiffon (BJ) stain is specified as AB

KOROGARD TEXTURES

Korogard textures are only available for Korogard standard color sheets. The standard texture is P I Dune. *Some textures are subject to minimums and require longer lead times.



Dune (PI)



Velour Matte* (P3)



Level Dune* (PC)



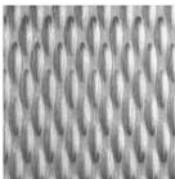
Smooth Nap* (PE)



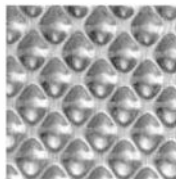
Cashmere* (PK)

STAINLESS STEEL TEXTURES

Stainless steel textures (S1-S5) are only available for kickplates, pushplates, and select corner guards. Standard texture S6 is available for all stainless steel products.



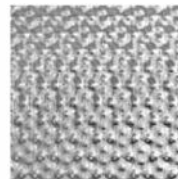
S1



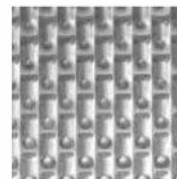
S2



S3



S4



S5



S6 (#4 satin finish)

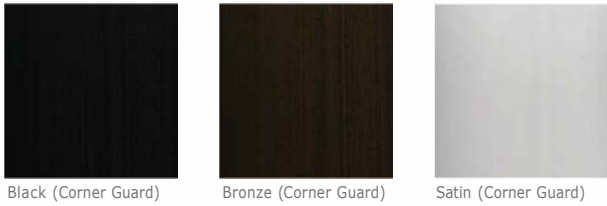
LEXAN • **COLORS**

Lexan colors are only available for Lexan corner guards (J Series).



ALUMINUM • **FINISHES**

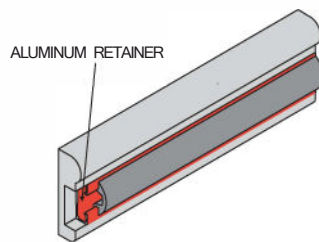
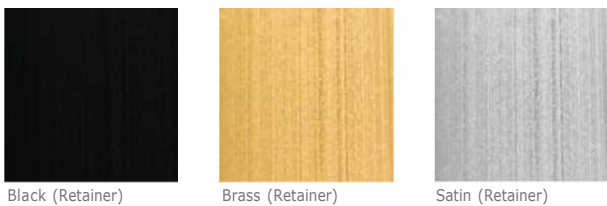
Aluminum corner guard finishes are only available for the anodized aluminum corner guard.



Aluminum powder coated finishes are only available for select handrails and crash rails (H55R, H550, & CS45).



Aluminum retainer finishes are only available for select handrails, chair rails, and bumper rails (HW20, HW40, BW20, BW40, BW60, BW70, BW90, & B200).



A photograph of a modern hospital hallway. The walls are covered in a light-colored, wood-grain protective wallcovering. The ceiling features recessed lighting and a grid pattern. In the foreground, there is a reception desk with a computer monitor. The hallway leads to several rooms, each with a blue curtain. Medical equipment, including a gurney and a trash can, is visible in the background.

PROTECTIVE WALLCOVERING

Protective Wallcoverings offer an attractive backdrop that conceals and protects against minor scratches and dents. Available in a variety of solid colors and unique patterns, products such as Korogard, Traffic Patterns, and Flex offer the ultimate combination of aesthetics and performance.

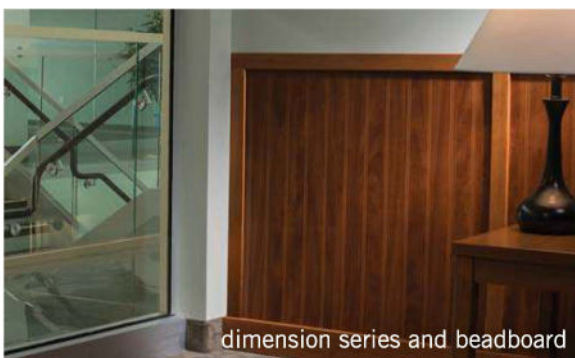
Flex Decorative Wall Protection and Traffic Patterns

PROTECTIVE WALLCOVERING **KOROGARD**

Korogard protective wallcoverings are manufactured using a semi-rigid sheet designed for use in high-traffic areas that are subject to abuse from impact, gouges, and scratches. Korogard sheets extend the life cycle of walls and reduce maintenance costs from repairs and repetitive labor.

- Available in solid, metallic, and Korowood colors
- 4' x 8' standard sheet size in .040", or .060" thicknesses, select colors are also available in .028" thickness
- 4' x 120' standard roll size in .028" and .040" thicknesses, and 4' x 80' standard roll size in .060" thickness - minimums apply
- .080" and .125" thicknesses available - minimums apply
- Korowood and metallic finishes only available in .040" thickness

Korogard protective sheets are also available as kickplates, pushplates, rub strips, Korogard Dimension Series, and beadboard.





PROTECTIVE WALLCOVERING

FLEX

Flex Decorative Wall Protection combines the aesthetic appeal of wallcovering with added durability and cleanability to protect your walls. Flex is a 35 oz. ply heavy-duty, fabric-backed, flexible wallcovering that is manufactured in 27 yd. rolls allowing for an easy installation. Available in a variety of beautiful patterns and an array of colors, Flex is best suited for areas subject to abrasion, soiling, and wear.

- Improved abrasion and stain resistance provided by a heavy-duty construction with a protective coating
- Easy to clean without damaging the surface

PROTECTIVE WALLCOVERING TRAFFIC PATTERNS

Traffic Patterns combines the beauty of wallcovering with the durability of wall protection. With thousands of wallcovering choices from Koroseal and world-renowned designers, Traffic Patterns give you more design options than ever before.

- Most Koroseal Basic, Enhanced, and Designer wallcoverings can be laminated on an impact-resistant wall protection sheet and capped with a protective film providing best-in-class stain resistance
- Decorative, semi-rigid .030", .040", or .060" thick protective wallcovering available as 4' x 8' and 4' x 10' sheets



FINISHING & INSTALLATION

STANDARD TRIM (Available in all standard colors pg. 7-8)



J-Cap (M082)

J-Cap is available for .028-.060" thicknesses and 10' lengths. The visible trim width is .450".



Inside Corner (M083)

Inside corner is available for .028-.060" thicknesses and 10' lengths. The visible trim width is .450".



Outside Corner (M085)

Outside corner is available for .028-.060" thicknesses and 10' lengths. The visible trim width is .450".



Divider Bar (M087/M088)

Divider bar is available for .028-.040" and .050-.060" thicknesses and 10' lengths. The visible trim width for each is .450".

ALUMINUM TRIM



J-Cap (JC12)

J-Cap is available for .028-.060" thicknesses and 12' lengths. The visible trim width is .250".



Inside Corner (IC12)

Inside corner is available for .028-.060" thicknesses and 12' lengths. The visible trim width is .337".



Outside Corner (OC12)

Outside corner is available for .028-.060" thicknesses and 12' lengths. The visible trim width is .281".



Divider Bar (0812)

Divider bar is available for .028-.060" thicknesses and 12' lengths. The visible trim width is .320".

PRIMER, ADHESIVES, & CAULK

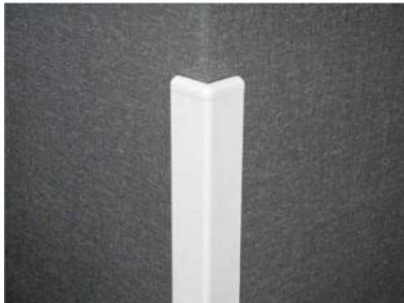
- **XT-2000+™ Primer** is a water-based primer for sealing and priming wallboard and concrete block prior to applying XT-2000+ Adhesive.
- **XT-2000+™ Mastic Adhesive** is a water-based, high strength adhesive with aggressive initial tack and permanent flexible bond.
- **Spray-Lock® FRP Spray Adhesive** is a water-based, acrylic spray adhesive.
- **3M™ Fastbond™ Contact Adhesive 30NF** is a low-odor, water-based adhesive designed to have high strength, high coverage, long bonding range, and good heat resistance.
- **Color Rite™ Caulk** is an acrylic-based sealant matched to Korogard standard colors. May be used as an alternative to trim for inside corners and as an expansion gap between sheets.



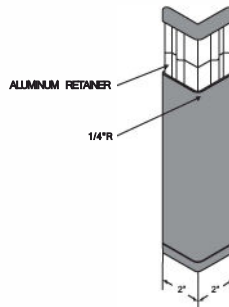
CORNER GUARDS

Scratches and dents are common occurrences in most commercial environments. That's why Korogard has designed a variety of corner guards to protect the edges of your walls from the inevitable abuse of high-traffic areas. Offering everything from standard vinyl to modern stainless steel, Korogard can provide a unique blend of options to complement a variety of interiors.

CORNER GUARDS



G100



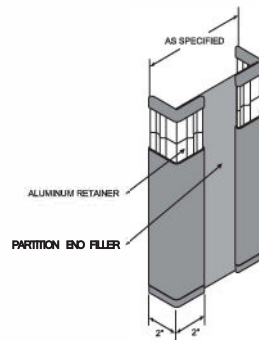
G100

2" vinyl corner guard with a 1/4" radius over a continuous aluminum retainer. Available in all standard colors (pg. 7-8)

- Specified as G10F: brushed aluminum or select Korowood finishes with standard color ends (pg. 7-8)
- Specified as G10E: Korogard ETS (PVC-free - minimums apply)
- Specified as G160: continuous vinyl retainer



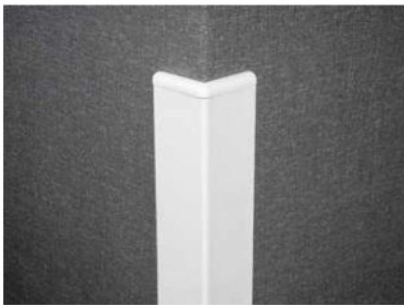
G110 - Partition End



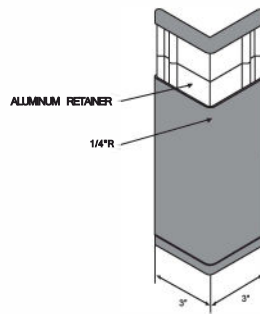
G110 - Partition End

Two G100 corner guards with a Korogard wall protection sheet filler. Available in all standard colors (pg. 7-8)

- Specified as G11F: brushed aluminum or select Korowood finishes with standard color ends (pg. 7-8)
- Specified as G11E: Korogard ETS (PVC-free - minimums apply)



G200



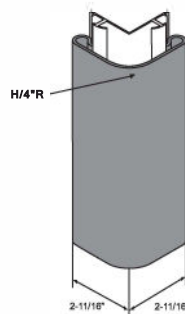
G200

3" vinyl corner guard with a 1/4" radius over a continuous aluminum retainer. Available in all standard colors (pg. 7-8)

- Specified as G20F: brushed aluminum or select Korowood finishes with standard color ends (pg. 7-8)
- Specified as G20E: Korogard ETS (PVC-free - minimums apply)
- Specified as G210: 135° angle
- Custom angles available



G400



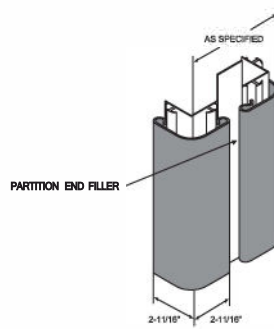
G400

2-11/16" vinyl corner guard with a 1-1/4" radius over a continuous aluminum retainer. Available in all standard colors (pg. 7-8)

CORNER GUARDS

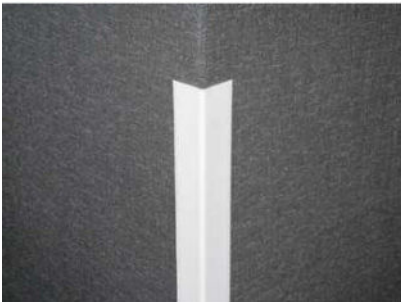


G410 - Partiton End



G410 - Partiton End

Two G400 corner guards with a Korogard wall protection sheet filler. Available in all standard colors (pg. 7-8)



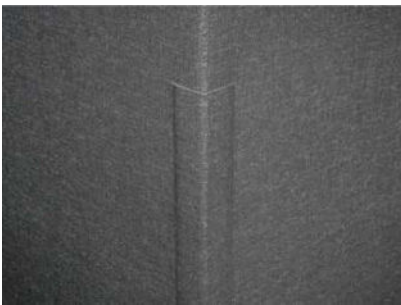
G815



GBOO Series

.078" thick vinyl extruded corner guard. Available in all standard colors (pg. 7-8)

- Specified as G875: wing size of 3/4"
- Specified as G815: wing size of 1-1/2"
- Specified as G81E: Korogard ETS (PVC-free - minimums apply)
- Specified as G825: wing size of 2-1/2"
- Specified as G900 series: adhesive backed
- Custom angles available for G815 and G825



GW15 - Wallcovering Wrapped



GW15 - Wallcovering Wrapped

1-1/2" vinyl wallcovering wrapped corner guard

- Coordinates beautifully with Koroseal wallcovering products
- Custom angles available



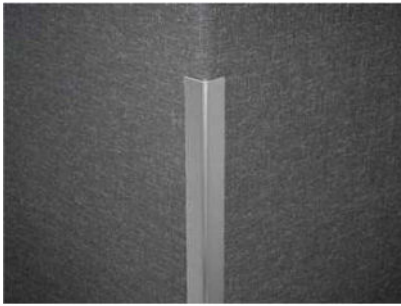
05 1/2" Anodized Aluminum



Anodized Aluminum

- Specified as 05: wing size of 1/2"
- Specified as 07: wing size of 3/4"
- Specified as 10: wing size of 1"
- Specified as 15: wing size of 1-1/2"
- Specified as 20: wing size of 2"
- See finish options on pg. 10

CORNER GUARDS



GS10 1" Stainless Steel



GS Series - Stainless Steel

- Specified as GS05: wing size of 1/2"
- Specified as GS10: wing size of 1"
- Specified as GS15: wing size of 1-1/2"
- Specified as GS20: wing size of 2"
- Specified as GS25: wing size of 2-1/2"
- Specified as GS30: wing size of 3"
- Specified as GS35: wing size of 3-1/2"
- Specified as GS40: wing size of 4"
- Specified as GS45: wing size of 4-1/2"
- Custom angles and wing sizes available
- Pre-drilled option available



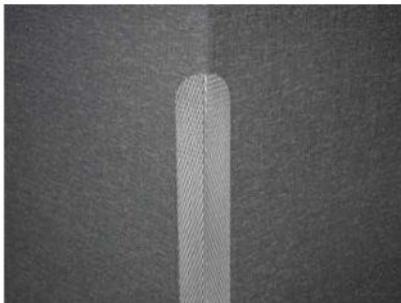
GS35E 3-1/2" Stainless Steel



GS Series - Partition End

Stainless steel partition end

- Specified as GS10E: wing size of 1"
- Specified as GS15E: wing size of 1-1/2"
- Specified as GS20E: wing size of 2"
- Specified as GS25E: wing size of 2-1/2"
- Specified as GS30E: wing size of 3"
- Specified as GS35E: wing size of 3-1/2"
- Specified as GS40E: wing size of 4"
- Pre-drilled option available



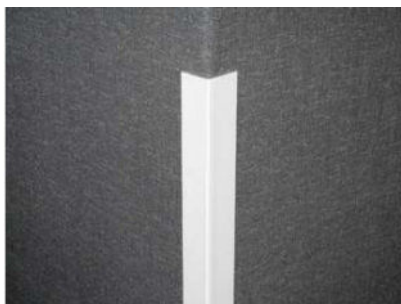
VAI 1-1/2" Textured Stainless Steel



V Series - Textured Stainless Steel

Textured stainless steel corner guard

- Specified as VSI: 1-1/2" square crown top
- Specified as VS3: 3-1/2" square crown top
- Specified as VAI: 1-1/2" arc crown top
- Specified as VA3: 3-1/2" arc crown top
- See textures on pg. 9
- Custom angles and wing sizes available



J034 3/4" Lexan

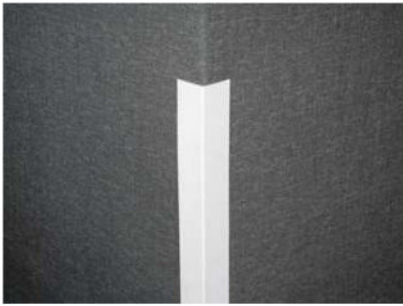


J Series - Lexan

Lexan polycarbonate corner guard

- Specified as J034: wing width of 3/4"
- Specified as J118: wing width of 1-1/8"
- Specified as J112: wing width of 1-1/2"
- Specified as J200: wing width of 2"
- Specified as J212: wing width of 2-1/2"
- 2-1/2" also available in 135° angle
- Pre-drilled or with tape options available
- See color options on pg. 10

CORNER GUARDS



3/4" Custom Formed



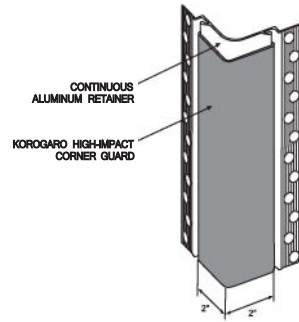
F Series - Custom Formed

Custom formed corner guard available with a minimum 3/4" wing width, and standard thicknesses of .040" and .060"

- Available in standard colors, brushed aluminum, or Korowood finishes (pg. 7-8)
- Custom angles available



R100 - Recessed



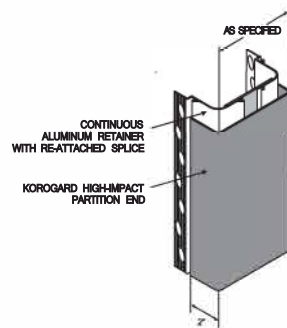
R100 - Recessed

2" vinyl recessed corner guard with a 1/4" radius over a continuous aluminum retainer. Available in all standard colors (pg. 7-8)

- Specified as R10F: brushed aluminum or select Korowood finishes (pg. 7-8)
- Specified as R10E: Korogard ETS (PVC-free - minimums apply)
- Specified as R120: with fire barrier
- Intended only for new construction and full-height applications



R110 - Partition End



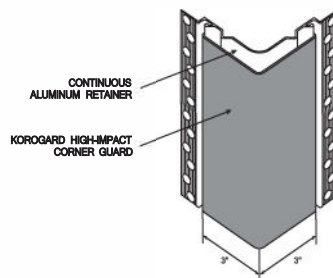
R110 - Partition End

2" vinyl recessed partition end with a 1/4" radius over a continuous aluminum retainer. Available in all standard colors (pg. 7-8)

- Specified as R130: with fire barrier
- Heights over 8' use .040" thick cover as standard; other thicknesses available - minimums apply
- Intended only for new construction and full-height applications



R400 - Recessed



R400 - Recessed

3" vinyl recessed corner guard with a 1/4" radius over a continuous aluminum retainer. Available in all standard colors (pg. 7-8)

- Specified as R40F: brushed aluminum or select Korowood finishes (pg. 7-8)
- Specified as R40E: Korogard ETS (PVC-free - minimums apply)
- Specified as R410: with 135° angle
- Specified as R420: with fire barrier
- Intended only for new construction and full-height applications



HANDRAILS

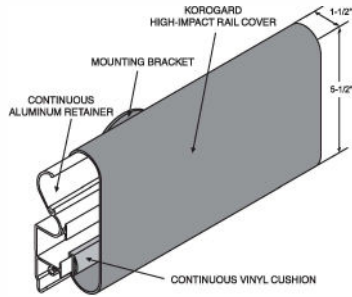
Crafted in solid wood, stainless steel, or vinyl with an aluminum retainer, Korogard handrails are ADA compliant and can be customized with a selection of styles, stains, and colors to match your design scheme.

HW20 with Vapor insert and Traffic Patterns

HANDRAILS



H100



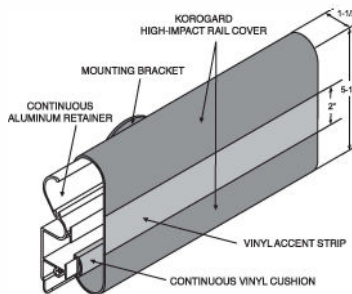
H100

5-1/2" handrail with full-length vinyl bumper and continuous aluminum retainer. Available in all standard colors (pg. 7-8)

- Specified as H10F: brushed aluminum or select Korowood finishes with faux wood wrapped ends (pg. 7-8)
- Specified as H10E: Korogard ETS (PVC-free - minimums apply)
- Specified as H100-S Anti-Ligature Handrail: full-length vinyl bumper and continuous aluminum retainer



H110



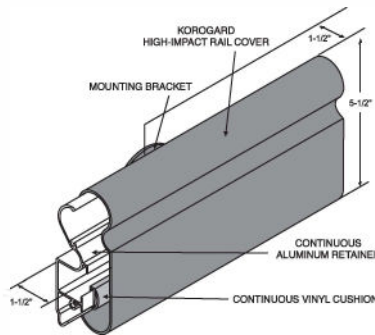
H110

5-1/2" handrail with full-length vinyl bumper and continuous aluminum retainer, with a vinyl accent strip. Available in all standard colors (pg. 7-8)

- Vinyl accent strip available in standard colors, brushed aluminum, and select Korowood finishes (pg. 7-8)
- Specified as H180: with Traffic Patterns accent strip



H200



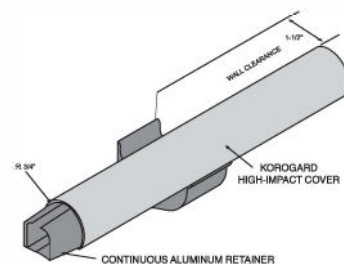
H200

5-1/2" handrail with full-length vinyl bumper and continuous aluminum retainer. Available in all standard colors (pg. 7-8)

- Specified as H20F: brushed aluminum or select Korowood finishes with faux wood wrapped ends (pg. 7-8)
- Specified as H20E: Korogard ETS (PVC-free - minimums apply)
- Specified as H210: two color vinyl cover



H500



H500

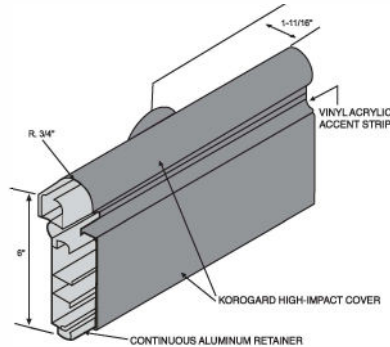
1-1/2" vinyl handrail with a continuous aluminum retainer. Available in all standard colors (pg. 7-8)

- Specified as H50F: brushed aluminum or select Korowood finishes with faux wood wrapped ends (pg. 7-8)

HANDRAILS



H600



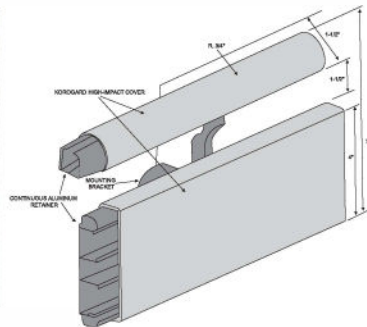
H600

6" handrail with continuous aluminum retainer with vinyl top grip and accent strip. Available in all standard colors (pg. 7-8)

- Specified as H60F: brushed aluminum or select Korowood finishes with faux wood wrapped ends (pg. 7-8)
- Specified as H60W: hardwood top grip
- FSC" certified wood available upon request
- See hardwood finishes on pg. 9



VRV - VersaRail



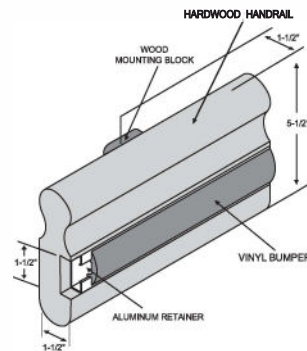
VRV - VersaRail

7" combination handrail and crash rail with continuous aluminum retainer

- Available in all standard colors and select Korowood finishes (pg. 7-8)
- Specified as VRW: hardwood top rail
- FSC" certified wood available upon request
- See hardwood finishes on pg. 9



HW20



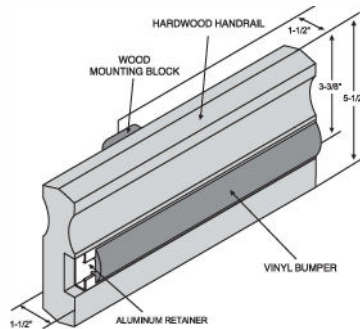
HW20

5-1/2" solid, hardwood handrail with integrated flexible vinyl bumper insert in an aluminum retainer

- Vinyl insert available in all standard colors (pg. 7-8)
- Specified as HW20-TP: with Traffic Patterns accent strip
- FSC" certified wood available upon request
- See hardwood finishes on pg. 9
- See aluminum retainer finishes on pg. 10



HW40



HW40

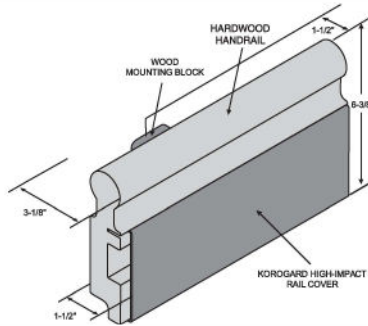
5-1/2" solid, hardwood handrail with integrated flexible vinyl bumper insert in an aluminum retainer

- Vinyl insert available in all standard colors (pg. 7-8)
- Specified as HW40-TP: with Traffic Patterns accent strip
- FSC" certified wood available upon request
- See hardwood finishes on pg. 9
- See aluminum retainer finishes on pg. 10

HANDRAILS



HW60



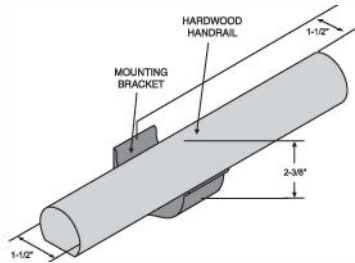
HW60

6-3/8" solid, hardwood handrail with a 4" vinyl cover

- Vinyl cover available in all standard colors (pg, 7-8)
- FSC⁰ certified wood available upon request
- See hardwood finishes on pg. 9



HW70



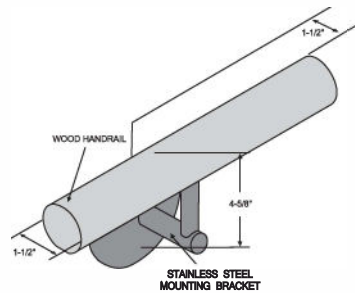
HW70

1-1/2" solid, hardwood handrail with rounded full grip and vinyl mounting brackets

- Vinyl mounting brackets are available in all standard colors (pg. 7-8)
- Fsc• certified wood available upon request
- See hardwood finishes on pg. 9



HW7S



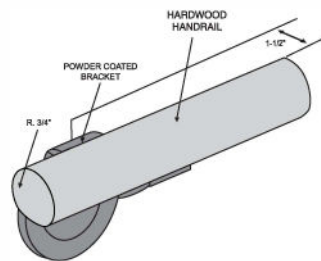
HW7S

1-1/2" solid, hardwood handrail with rounded full grip and stainless steel mounting brackets and end caps

- Fsc• certified wood available upon request
- See hardwood finishes on pg. 9



HW7P



HW7P

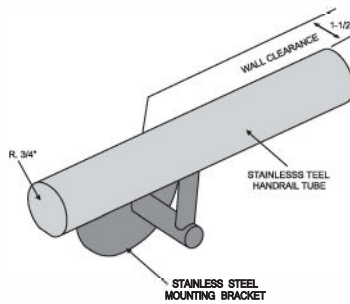
1-1/2" solid, hardwood handrail with rounded full grip and powder coated aluminum mounting brackets and end caps

- See powder coated aluminum finishes on pg, 10
- See hardwood finishes on pg. 9

HANDRAILS



HS7S



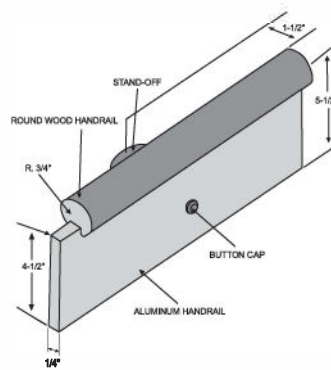
HS7S

1-1/2" stainless steel handrail with rounded full grip and stainless steel mounting brackets and end caps

- Only available in S6 texture on pg. 9



HS5R



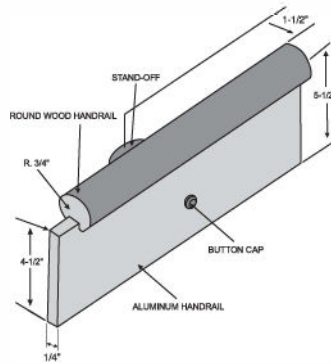
HS5R

4-1/2" aluminum handrail with a solid, hardwood top grip and radius return

- Specified as LS5R: with a flattened oval top grip
- FSC" certified wood available upon request
- See hardwood finishes on pg. 9
- See powder coated aluminum finishes on pg. 10



HS50



HS50

4-1/2" aluminum handrail with a solid, hardwood top grip and mitered return

- Specified as LS50: with a flattened oval top grip
- FSC" certified wood available upon request
- See hardwood finishes on pg. 9
- See powder coated aluminum finishes on pg. 10





CRASH & BUMPER RAILS

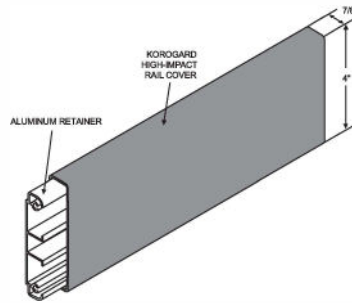
Korogard has developed a superior line of crash and bumper rails designed to provide an impact-resistant barrier to damaging carts, beds, and chairs. Crash rails are solidly built with a continuous aluminum retainer and exclusive connector plates.

C600 Crash Rail, Korogard Protective Wallcovering, G200 Corner Guard, H60F Handrail - Savannah Handrail Top Rail in Shaker Cherry

CRASH & BUMPER RAILS



C400



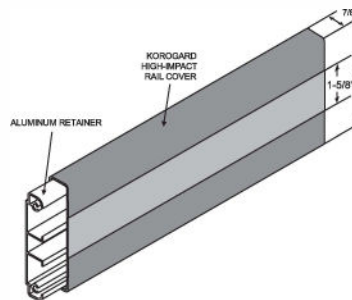
C400

4" vinyl crash rail and continuous aluminum retainer. Available in all standard colors (pg. 7-8)

- Specified as C40F: brushed aluminum or select Korowood finishes with faux wood wrapped ends (pg. 7-8)
- Specified as C40E: Korogard ETS (PVC-free - minimums apply)
- Specified as C460: economy model for light impact situations
- Available in a variety of mounting options (C430 and C440)



C410



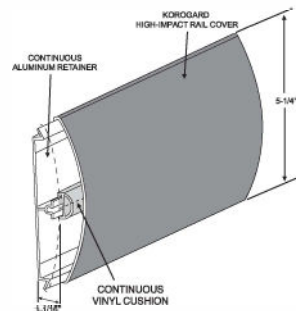
C410

4" vinyl crash rail and continuous aluminum retainer, vinyl accent strip, and full-length vinyl bumper. Available in all standard colors (pg. 7-8)

- Accent strip available in standard colors, brushed aluminum, or select Korowood finishes (pg. 7-8)
- Specified as C480: Traffic Patterns accent strip
- Available in a variety of mounting options



C500



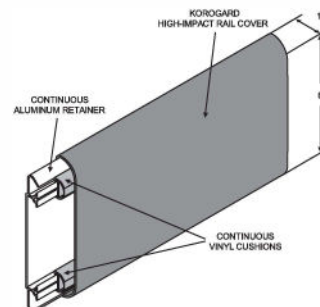
C500

5-1/4" vinyl crash rail and continuous aluminum retainer with full-length vinyl bumper. Available in all standard colors (pg. 7-8)

- Specified as C560: economy model for light impact situations



C600



C600

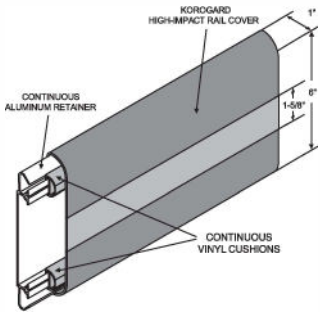
6" vinyl crash rail and continuous aluminum retainer with full-length vinyl bumper. Available in all standard colors (pg. 7-8)

- Specified as C60F: brushed aluminum or select Korowood finishes with faux wood wrapped ends (pg. 7-8)
- Specified as C60E: Korogard ETS (PVC-free - minimums apply)
- Specified as C660: economy model for light impact situations
- Available in a variety of mounting options (C630 and C640)

CRASH & BUMPER RAILS



C610



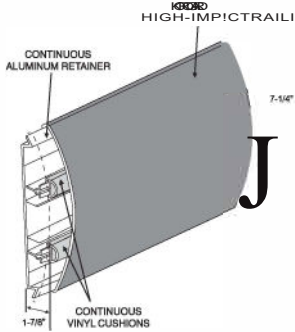
C610

6" vinyl crash rail and continuous aluminum retainer, vinyl accent strip, and full-length vinyl bumper. Available in all standard colors (pg. 7-8)

- Accent strip available in standard colors, brushed aluminum, or select Korowood finishes (pg. 7-8)
- Specified as C680: Traffic Patterns accent strip
- Available in a variety of mounting options



C700



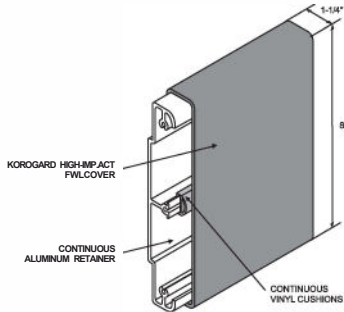
C700

7-1/4" vinyl crash rail and continuous aluminum retainer with full length vinyl bumper. Available in all standard colors (pg. 7-8)

- Specified as C760 or C770: economy models for light impact situations



C800



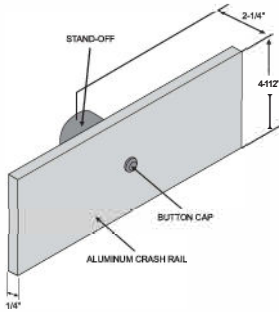
C800

8" vinyl crash rail and continuous aluminum retainer with full-length vinyl bumper. Available in all standard colors (pg. 7-8)

- Specified as C80F: brushed aluminum or select Korowood finishes with faux wood wrapped ends (pg. 7-8)
- Specified as C860 or C870: economy models for light impact situations
- Available in a variety of mounting options (C830 and C840)



CS45



CS45 - Aluminum

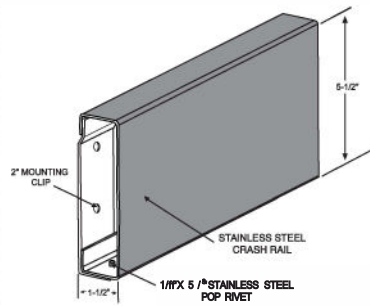
4-1/2" aluminum crash rail

- Available in silver, silver stratum, and black powder coated textured finishes (pg. 10)

CRASH & BUMPER RAILS



CS5F



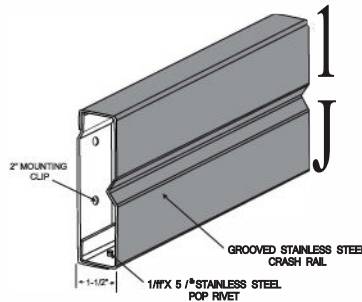
CS5F - Stainless Steel

5-1/2" stainless steel crash rail

- All rails to be supplied prefabricated to the specified length with factory installed end plates
- Bracket spacing cannot exceed 32" on center
- Mounting hardware not included
- Inside and outside corners are not available



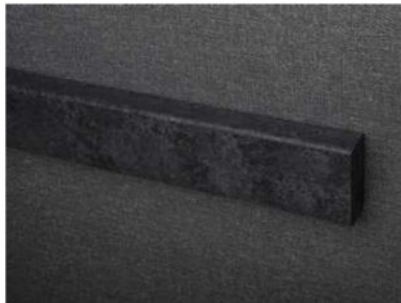
CS55



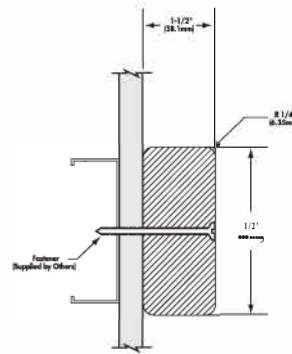
CS55 - Stainless Steel

5-1/2" stainless steel crash rail with v-groove

- All rails to be supplied prefabricated to the specified length with factory installed end plates
- Bracket spacing cannot exceed 32" on center
- Mounting hardware not included
- Inside and outside corners are not available



K204 Korofiber Crash Rail



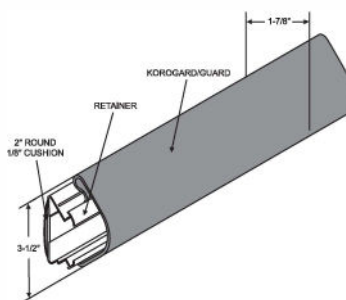
K204 - Korofiber

Korofiber recycled vinyl crash rail available in 3-1/2", 5-1/2", 7-1/2", and 9-3/8" widths

- Available in black, brown, weathered wood, dark gray, and forest green
- Designed for high-impact areas
- Fade resistant and easy to install



8100



B100

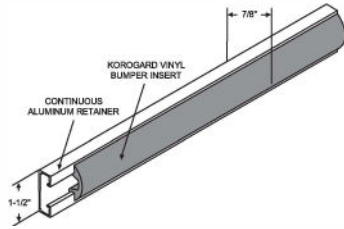
3-1/2" bumper rail with rounded full-length vinyl cover and continuous aluminum retainer. Available in all standard colors (pg. 7-8)

- Specified as 8121: with bed locator ends to position beds in safe, damage free space
- Available in a variety of mounting options (8120, 8130, 8140, and 8150)
- Wraps outside corners, mitred inside corners, or terminate with end cap

CRASH & BUMPER RAILS



B200



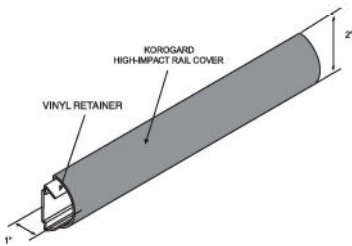
B200

1-1/2" flexible vinyl bumper rail inserted into a continuous aluminum retainer. Available in all standard colors (pg. 7-8)

- Retainer available in black, brass, and satin aluminum (pg. 10)
- Wraps outside corner, mitred inside corner, or terminate with end cap



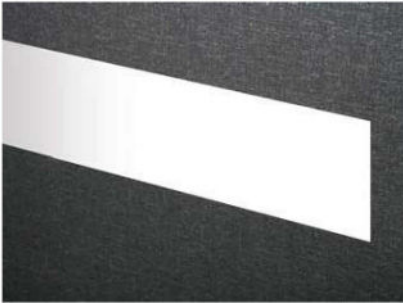
B300



B300

2" bumper rail with rounded full-length vinyl cover and recycled vinyl retainer. Available in all standard colors (pg. 7-8)

- Specified as B30F: brushed aluminum or select Korowood finishes with standard color end caps and corner pieces (pg. 7-8)
- Wraps outside corner, mitred inside corner, or terminate with end cap



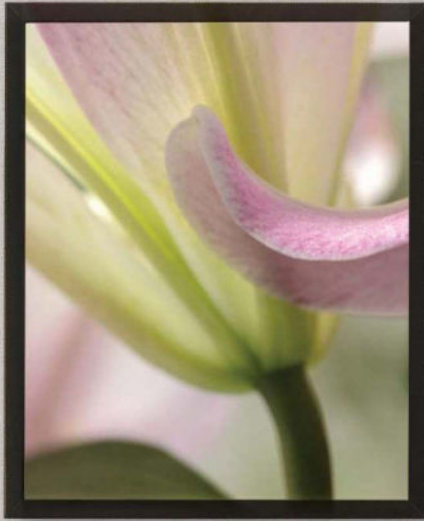
Rub Strip

Rub Strip

Korogard protective wallcovering sheet trimmed down for use on high traffic areas. Available in all standard colors (pg. 7-8)

- Available in 4-24" widths





CHAIR RAILS

Crafted in solid wood or vinyl with an aluminum retainer, Korogard chair rails can be customized with a selection of styles, stains, and colors.

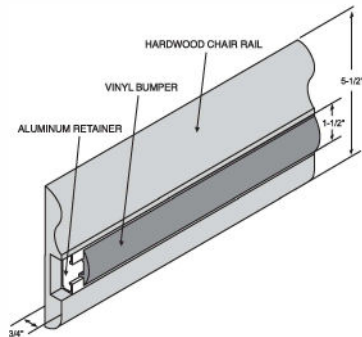


BW60 with Simply White insert

CHAIR RAILS



BW20



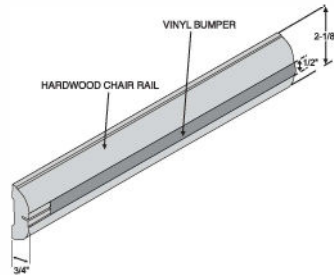
BW20

5-1/2" solid hardwood chair rail with integrated flexible vinyl bumper and aluminum retainer

- Retainer available in black, brass, and satin aluminum finishes (pg. 10)
- Bumper available in all standard colors (pg. 7-8)
- FSC[®] certified wood available upon request
- See hardwood finishes on pg. 9



BW30



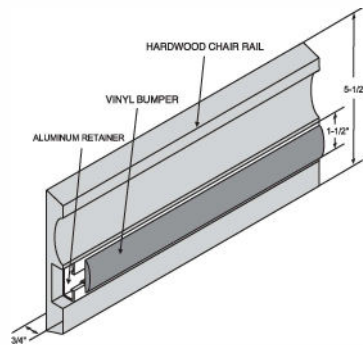
BW30

2-1/8" solid hardwood chair rail with integrated flexible vinyl bumper

- Insert available in black and almond only
- FSC[®] certified wood available upon request
- See hardwood finishes on pg. 9



BW40



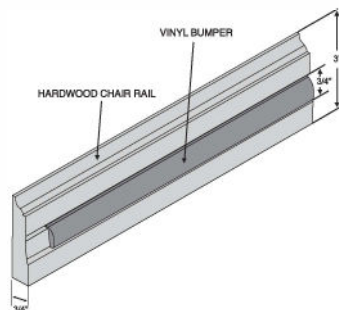
BW40

5-1/2" solid hardwood chair rail with integrated flexible vinyl bumper and aluminum retainer

- Retainer available in black, brass, and satin aluminum finishes (pg. 10)
- Bumper available in all standard colors (pg. 7-8)
- FSC[®] certified wood available upon request
- See hardwood finishes on pg. 9



BW50



BWSO

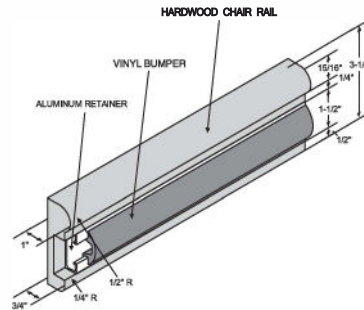
3" solid hardwood chair rail with integrated flexible vinyl bumper

- Insert available in black only
- FSC[®] certified wood available upon request
- See hardwood finishes on pg. 9

CHAIR RAILS



BW60



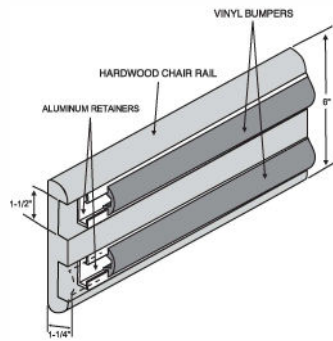
BW60

3-1/4" solid hardwood chair rail with integrated flexible vinyl bumper and aluminum retainer

- Retainer available in black, brass, and satin aluminum finishes (pg. 10)
- Bumper available in all standard colors (pg. 7-8)
- FSC^o certified wood available upon request
- See hardwood finishes on pg. 9



BW70



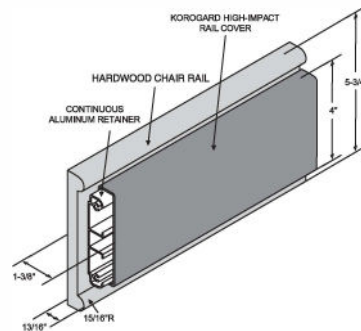
BW70

6" solid hardwood chair rail with two integrated flexible vinyl bumpers and aluminum retainers

- Retainers available in black, brass, and satin aluminum finishes (pg. 10)
- Bumper available in all standard colors (pg. 7-8)
- Fsc• certified wood available upon request
- See hardwood finishes on pg. 9



BW80



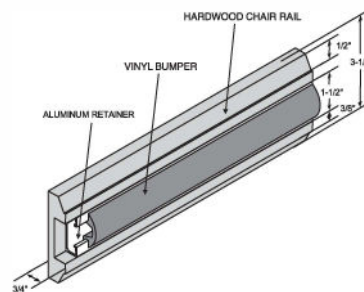
BW80

5-3/4" chair rail with 4" full-length vinyl bumper, solid hardwood backing, and aluminum retainer

- Bumper available in all standard colors (pg. 7-8)
- Bumper also available in brushed aluminum or select Korowood finishes with faux wood wrapped ends (pg. 7-8)
- FSC^o certified wood available upon request
- See hardwood finishes on pg. 9



BW90



BW90

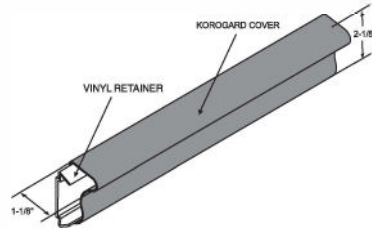
3-1/4" solid hardwood chair rail with integrated flexible vinyl bumper and aluminum retainer

- Retainer available in black, brass, and satin aluminum finishes (pg. 10)
- Bumper available in all standard colors (pg. 7-8)
- Fsc• certified wood available upon request
- See hardwood finishes on pg. 9

CHAIR RAILS



CH20



CH20

2-1/8" chair rail with full-length vinyl bumper and recycled vinyl retainer. Available in all standard colors (pg. 7-8)

- Specified as CH20F: bumper available in brushed aluminum or select Korowood finishes with faux wood wrapped ends (pg. 7-8)
- No corner pieces available
- End caps are right or left specific



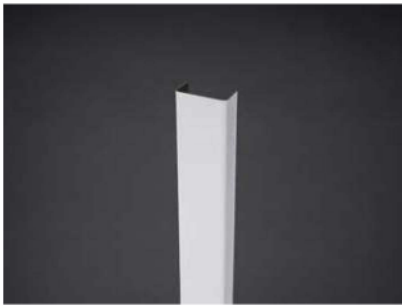


DOOR PROTECTION

Korogard Door Protectors dramatically cut maintenance costs on expensive doors and door frames. Korogard's unique custom forming capabilities provide form-fitting custom door and frame protectors that prevent high maintenance and replacement costs.

Kickplate, Korogard Protective Wallcovering, G100 Corner Guard - Fog

DOOR PROTECTION



E400 .040" Door Edge Protector



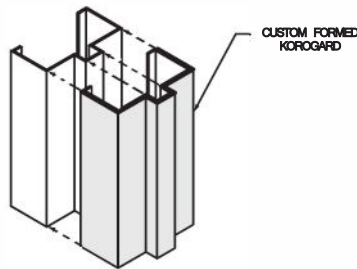
E Series - Door Edge Protector

Custom formed vinyl door edge protector. Available in all standard colors (pg. 7-8)

- Standard dimensions: 1" x 1-3/4", custom dimensions are available
- Available thicknesses of .040" and .060"
- Specified as E400: thickness of .040"
- Specified as E400F: thickness of .040" in brushed aluminum or select Korowood finishes (pg. 7-8)
- Specified as E600: thickness of .060"
- No drawdown or product thinning



F104 .040" Door Frame Protector



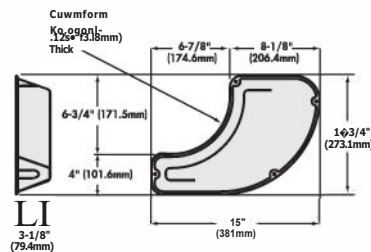
F Series - Door Frame Protector

Custom formed vinyl door frame protector. Available in all standard colors (pg. 7-8)

- Available thicknesses of .040" and .060"
- Specified as F104: thickness of .040"
- Specified as F104F: thickness of .040" in brushed aluminum or select Korowood finishes (pg. 7-8)
- Specified as F106: thickness of .060"
- Available with return legs
- No drawdown or product thinning



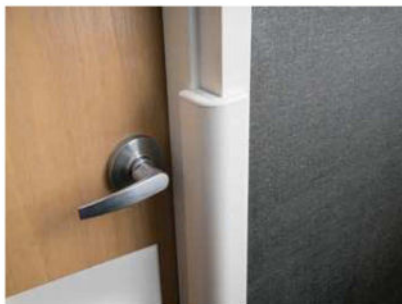
Door Knob Protector and Kickplate



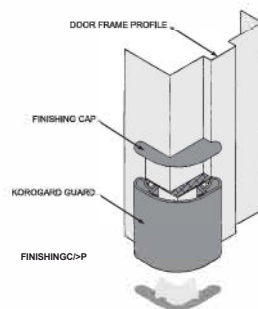
K Series - Door Knob Protector

Full round or half round door lever and knob protectors. Available in all standard colors (pg. 7-8)

- Standard thickness of .125"
- Custom thicknesses available
- No drawdown or product thinning



F360 Door Frame Protector and Kickplate



F360 - Door Frame Protector

2-11/16" door frame protector with a 1-1/4" radius over a continuous aluminum retainer. Available in all standard colors (pg. 7-8)

- Standard length is 4'

ENVIRONMENTAL



Protection through Innovation

As a responsible corporate citizen, Koroseal is dedicated to protecting human health, natural resources, and the global environment. This commitment extends beyond compliance with the law to encompass integration of sound environmental practices into our business decisions.

- Manufacturing facilities continuously pursue methods to further reduce operating emissions, recycle all waste material, and use the safest raw materials with the least environmental impact
- Supplying products that promote sustainability, including products that are low-emitting, contain recycled material, require low-energy to produce, and are easily maintained

Korogard Wall Protection products continue Koroseal's commitment to the environment with most products being recyclable.

- Retainers made from recycled materials
- All products provide a long life-cycle resulting in less waste
- Protective wallcoverings meet California Indoor Air Quality Specification 01350
- Several Korogard products can contribute to a building achieving LEED credits (see chart)
- Korogard ETS is a non-PVC option for wall protection with a blend of high-performance materials and recycled aluminum. Available for protective wallcovering sheets, corner guards, handrails, and crash rails. Available in all standard colors. Minimums apply.

Korogard products that contribute to a building achieving LEED® credits:

	Materials and Resources (MR)		Indoor Environmental Quality (EQ)
	Interiors Life-Cycle Impact Reduction	Building Product Disclosure and Optimization - Sourcing of Raw Materials	Low-Emitting Materials
Protective Wallcovering			
Korogard sheets			•
Traffic Patterns			•
Corner Guards			
Stainless Steel		•	
Aluminum		•	
G100	•	•	
G160	•	•	
G200	•	•	
G400	•	•	
R100	•	•	
R400	•	•	
Handrails			
Stainless Steel		•	
Hardwood		•	
H100	•	•	
H200	•	•	
H500	•	•	
H600	•	•	
VersaRail	•	•	
Crash & Bumper Rails			
Stainless Steel		•	
C400	•	•	
C500	•	•	
C600	•	•	
C700	•	•	
C800	•	•	
8100	•	•	
8200	•	•	
8300	•	•	
Chair Rails			
Hardwood		•	
CH20	•	•	



If you can imagine it, Koroseal can help you express it
-thanks to our collaborative sales force and innovative platforms that go beyond just Wall Protection including Wallcovering, Walltalkers, Digital Lab, and Specialty products. When the creative process begins with Koroseal, you are inspired by hundreds of product offerings at price points to fit every budget.

Count on Koroseal, your one-source resource for surface-scaping your vision.

TECHNICAL INFORMATION

Fire Code Selection Guide

Gauge	Korogard 500	Korogard 600
.028" (.71mm)	Meets Class A Fire Code criteria	—
.040" (1.02mm)	Meets Class A Fire Code criteria	—
.060" (1.52mm)	Meets Class A Fire Code criteria	—
.080" (2.03mm)	Meets Class B Fire Code criteria	Meets Class A Fire Code criteria
.125" (3.18mm)	—	Meets Class A Fire Code criteria

Fire Retardancy Data

(Korogard 500)

Property	Test Parameter	Value
Korogard Fire Gas Toxicity*	LC50 Temp. @ 1% sample mass loss Max. CO concentration Max. CO ₂ concentration	9.90g 601°F (316°C) 5500 ppm @ 880°F (471°C) 0.90% @ 981°F (527°C)
CAN/ULC-S102.2-M88 (.028"- .040")	FSCI SO	0 <5
Flame Spread** (ASTM E-84)	.060" or less .093" or less	25 35
Smoke Developed** (ASTM E-84)	.060" or less .093" or less	40 350-450

* Filed in compliance with Article 15, Part 1120 of New York State Uniform Fire Prevention & Building Code.

** Underwriters Laboratories, Inc. file #R6738. Product applied to a nonflammable substrate using 3M Fastbond 30® contact adhesive at an application rate of 130 sq. ft. per gallon.

Fire Retardancy Data

(Korogard 600)

Property	Test Parameter	Value
Flame Spread (ASTM E-84)	.080" .093" .125"	25 20 20
Smoke Developed (ASTM E-84)	.080" .093" .125"	325 390 440

* Independent test laboratory data. Product applied to a nonflammable substrate using 3M Fastbond 30® contact adhesive at an application rate of 225 sq. ft. per gallon.

All Korogard handrails comply with ANSI and conform with all applicable building codes, including UBC, SBCCI, BOCA, OSHA, and Life Safety.

Chemical & Stain Resistance

(after 30 days contact)

Material	Chemical Resistance		Staining Tendency	
	73° F	140° F	73° F	140° F
Lestoil®	No Change	Slight Attack	None	Slight
Household Ammonia	No Change	Slight Attack	None	Slight
Regular Esso™ Gasoline	No Change	—	Very Slight	—
Tomato Juice	No Change	No Change	Very Slight	Medium
Tea	No Change	No Change	Slight	Slight
Coffee	No Change	No Change	Very Slight	Medium
Isopropyl Alcohol	No Change	—	None	—
Mustard	No Change	No Change	Slight	Medium
CloroX-	No Change	No Change	None	Slight
Pepsi*	No Change	No Change	None	Slight

Selected Average Properties of Korogard Protective Wallcovering*

Property	Test Method	Value
Specific Gravity	ASTM 0-792	1.35-1.45
Tensile Strength at Yield (psi)	ASTM D-638	6,000
Modulus of Elasticity (psi)	ASTM D-638	324,000
Elongation at Break(%)	ASTM D-638	154
Maximum Flexural Strength (psi)	ASTM 0-790	10,200
Modulus of Elasticity (psi)	ASTM D-790	347,000
Hardness:		
Durometer Shore D	ASTM D-2240	77
Rockwell L	ASTM D-785	57
Impact Strength:		
Charpy unnotched (ft.-lbs.11/2" x 1" 73°F (23°C) 32°F (0°C)	ASTM D-256	No Break No Break 12-18
Izod notched (in.-lbs.lin. of notch)	ASTM D-256	
Heat deflection temperature (HOT) @ 264 psi (annealed)	ASTM D-648	165-170°F (74-76.5°C)
Thermal Expansion		
Coefficient of thermal expansion (in./in.-°F x 10 ⁻⁴)		4.5 4.2
100°F (38°C) 60°F (16°C)		
Shear Strength (psi)	ASTM D-732	4,500
Abrasion Resistance:		
Taber test (wt. loss in g. CS-10 wheels, 1kgJ wheel, 1000 cycles)	ASTM D-1044	0.015

* These are typical sheet properties and are not to be used to establish minimum material specifications. They are the latest available at the time of publication and authentic to the best knowledge of Koroseal. Properties are listed solely to give general guidance and are not to be construed as a warranty of any type.

All data refers to Korogard 500 and Korogard 600.

Protective Wallcovering Sheet & Roll Selection Guide

	Standard Sheets and Rolls (No Minimums)	Special Order (Minimums Apply)
Colors	52 Standard, 4 Metallics, 13 Korowood	Unlimited Custom Colors
Textures	P1 - Dune	P3 - Velour Matte PC - Level Dune PE - Smooth Nap PK - Cashmere
Thicknesses	.040 in. (1.02 mm) .060 in. (1.52 mm) .028 in. (0.71 mm) for select colors	.028 in. (0.71 mm) .080 in. (2.03 mm) .093 in. (2.36 mm) .125 in. (3.18 mm)
Sheet Sizes	48 in. x 96 in. (1.22 m. x 2.44 m.)	24 in. x 96 in. (0.61 m. x 2.44 m.) 36 in. x 96 in. (0.91 m. x 2.44 m.) 36 in. x 120 in. (0.91 m. x 3.05 m.) 48 in. x 120 in. (1.22 m. x 3.05 m.) 60 in. x 96 in. (1.52 m. x 2.44 m.) Custom Sheet Sizes Also Available
Roll Sizes	48 in. x 120 ft. (1.22 m. x 36.58 m.) C.028 in. and .040 in. thicknesses only) 48 in. x 80 ft. (1.22 m. x 24.38 m.) C.060 in. thickness only)	24 in. x 120 ft. (0.61 m. x 36.58 m.) 36 in. x 120 ft. (0.91 m. x 36.58 m.) [.028 in. and .040 in. thicknesses only] Custom Roll Sizes Also Available 24 in. x 80 ft. (0.61 m. x 24.38 m.) 36 in. x 80 ft. (0.91 m. x 24.38 m.) [.060 in. thickness only] Custom Roll Sizes Also Available

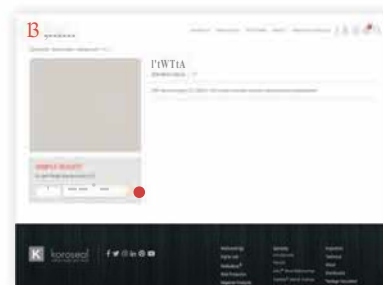
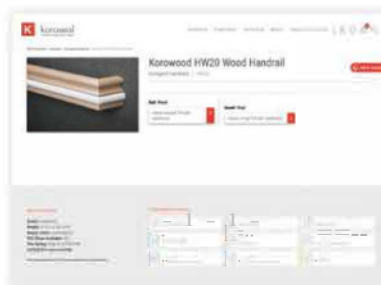
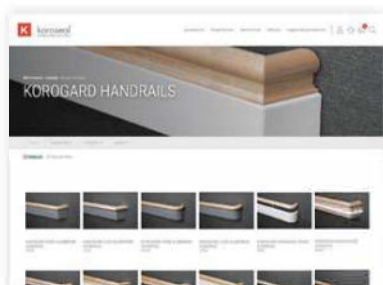
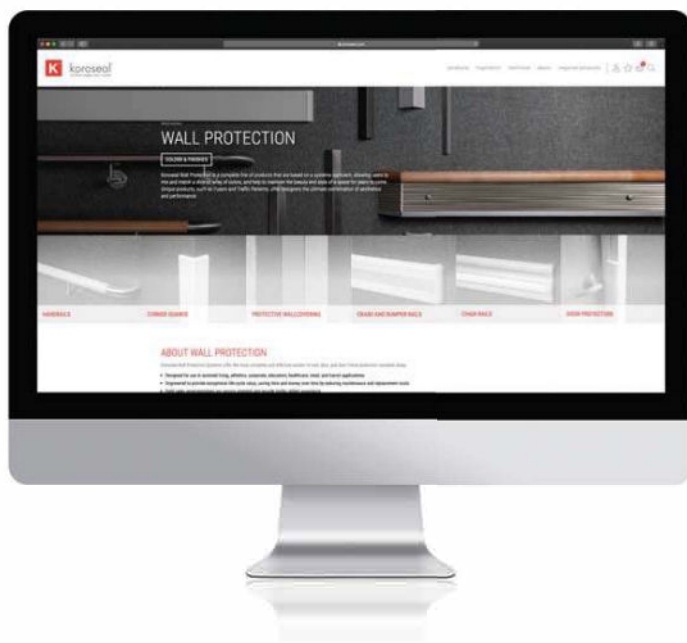
SUPPORT & RESOURCES

Korogard.com provides detailed information for each wall protection product:

- Color & finish options
- Complete specifications
- Technical documents including BIM project files, CAD drawings, as well as PDF and video installation instructions in English and Spanish

For Sample Requests:

Visit koroseal.com/korogard, contact your local sales representative, or call 855-753-5474 to request a free sample.



surface-scape your vision®

koroseal®
surface-scape your vision®

Koroseal®, surface-scape your vision®, **K**, Korogard®, Flex™, Traffic Patterns®, and Korowood™ are registered trademarks and trademarks of Koroseal Interior Products, LLC. 3M® is a registered trademark of 3M Company. Fastbond® is a registered trademark of 3M Corporation. XT2000+™ is a trademark of Formulated Solutions, LLC. Spray-Lock® is a registered trademark of Interlock Industries, Inc. Color Rite® is a registered trademark of Color Rite Incorporated.

© 2020 Koroseal Interior Products, LLC. All Rights Reserved.

855.753.5474 | koroseal.com/korogard